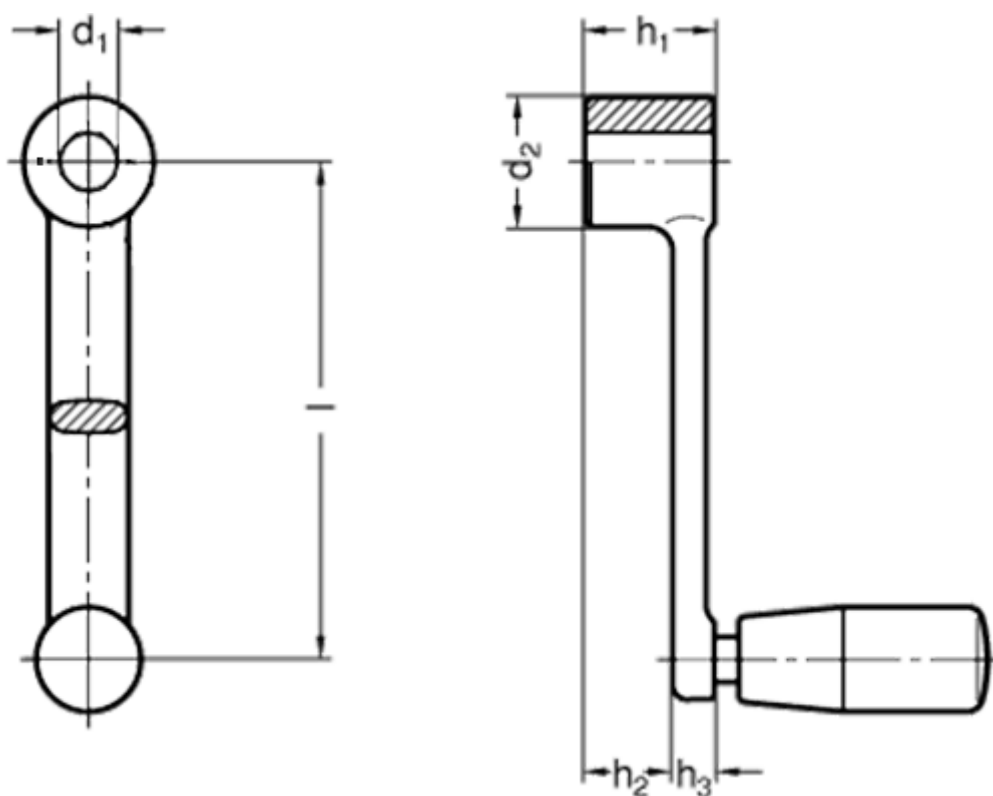


# Data Sheet



Article number: 201567266  
Description: E+G Crank handle  
GN 269-80-B10

## Measures



$d_1$	= 10
$d_2$	= 22
$h_1$	= 22
$h_2$	= 15.4
$h_3$	= 7
Handle	= 18
$l$	= 80